



Govaerts Recycling nv  
Industriepark Kolmen  
Kolmenstraat 1324 B  
B-3570 Alken

tel. +32 11 59 01 60  
fax. +32 11 31 43 03  
info@govaertsrecycling.com  
www.govaplast.com

document code :

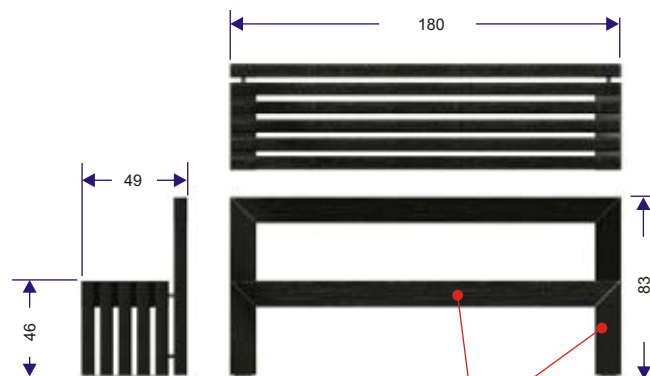
TF/AVBO/V106/EN

benches  
"AVENUE" & "BOULEVARD"

### bench BOULEVARD



weight = approx. 112kg



boards 6 x 12 cm

#### Description

Bench with back made up of 6 x 12 cm recycling boards. The seat consists of 5 boards connected with the leg boards under a 45° angle (upside-down U-shape) by means of 5 mm thick brushed stainless steel plates. The distance between the boards is 25 mm.

The back consists of a horizontal board equally connected to a vertical board under a 45° angle by means of 3 mm thick brushed stainless steel plates (upside-down U-shape). The back is mounted to the rear of the bench by means of 4 spacer sleeves. The leg boards are mounted on a brushed stainless steel base plate.

#### Anchorage

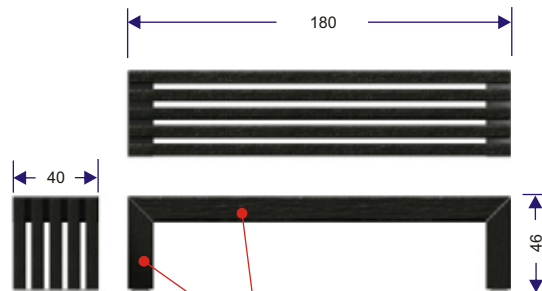
The base plates are provided with a stapled tongue with a hole for mounting a ground bolt or a spindle (M12). Cf. separate schedule on anchorage.



### bench AVENUE



weight = approx. 90kg



boards 6 x 12 cm

#### Description

Bench without back made up of 6 x 12 cm recycling boards. The bench consists of 5 boards connected with the leg boards under a 45° angle (upside-down U-shape) by means of 5mm thick brushed stainless steel plates. The distance between the boards is 25 mm.

The leg boards are mounted on a brushed stainless steel base plate.

#### Anchorage

The base plates are provided with a stapled tongue with a hole for mounting a ground bolt or a spindle (M12). Cf. separate schedule on anchorage.



#### properties / material / look / maintenance

The boards are made of high quality recycled plastic, mass coloured : durable, weather-resistant, low maintenance, rotproof, recyclable. All metal fixing materials and parts are galvanised or made of stainless steel.

black

